

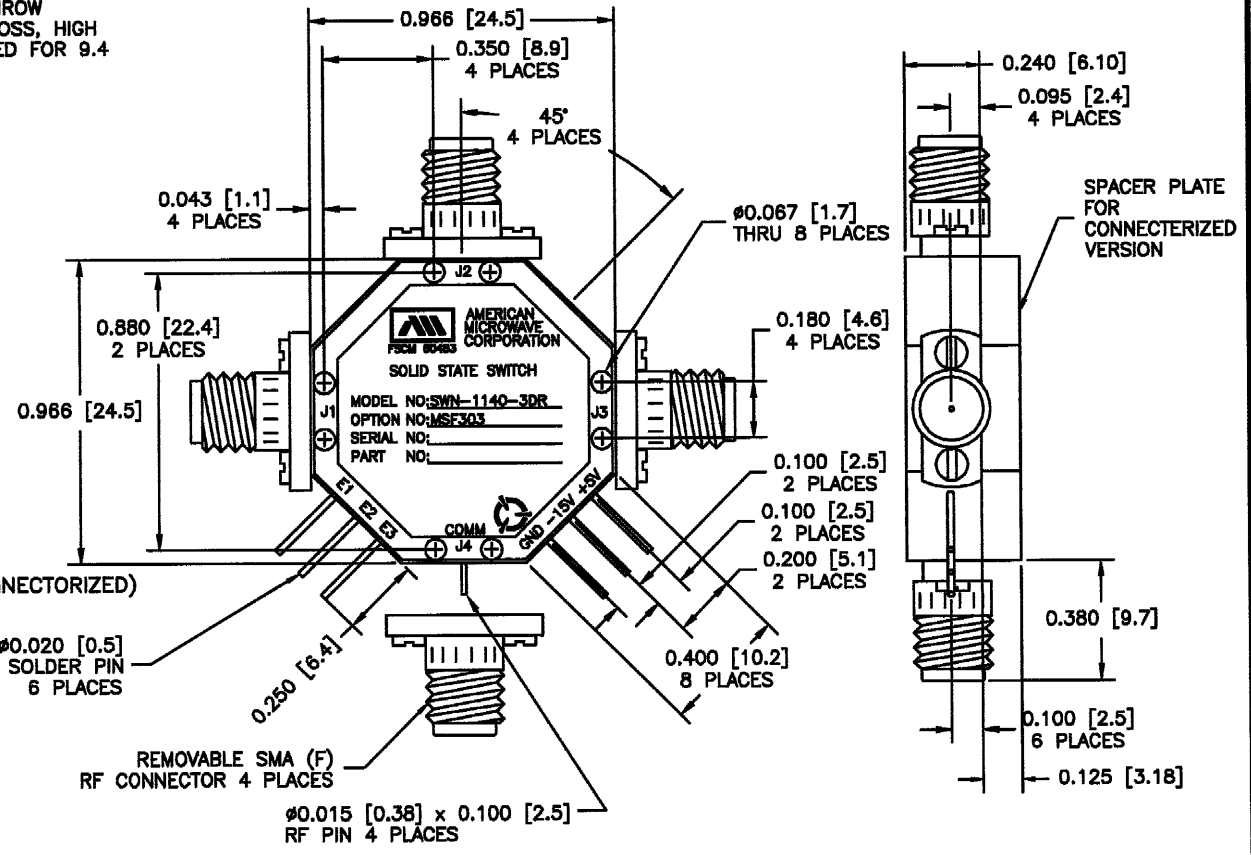
ZONE		REV.	DESCRIPTION	DATE	APPROVED
			ORIGINAL RELEASE	12/22/99	

DESCRIPTION:

AMC MODEL SWN-1140-3DR OPTION MSF303 IS A SINGLE POLE THREE THROW HERMETICALLY SEALED, REFLECTIVE SWITCH MODULE WITH LOW INSERTION LOSS, HIGH ISOLATION, FAST SWITCHING TIMES AND WITH INTEGRAL TTL DRIVER, DESIGNED FOR 9.4 TO 9.8 GHz OPERATION.

SPECIFICATIONS:

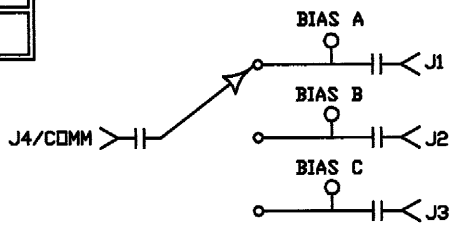
- FREQUENCY: 9.4 GHz TO 9.8 GHz
- INSERTION LOSS: 2.8 dB MAXIMUM
- ISOLATION: 60 dB MINIMUM
- VSWR (ALL PORTS): 2.0:1 MAXIMUM
- SWITCHING SPEED: 100 ns MAXIMUM (50% TTL TO 90% RF)
- RF POWER: 20 dBm (WITH 2 dB COMPRESSION)
- CONTROL: SEE LOGIC TABLE
- POWER SUPPLY: +5 VDC @ 110 mA MAXIMUM
-11 TO -15 VDC @ 50 mA MAXIMUM
- CONNECTORS (RF): REMOVABLE SMA FEMALE, 3 PLACES
- CONNECTORS (POWER): SOLDER PINS
- CONNECTORS (CONTROL): SOLDER PINS
- SIZE: 0.966" (L) x 0.966" (W) x 0.365" (H) (CONNECTORIZED)
0.966" (L) x 0.966" (W) x 0.240" (H)
- WEIGHT: 1.5 OUNCE TYPICAL



LOGIC TABLE						
TERMINAL LEVEL		RF				
DASH	E1	E2	E3	COMM/J4 - J1	COMM/J4 - J2	COMM/J4 - J3
1	L	H	H	INSERTION LOSS	ISOLATION	ISOLATION
	H	L	H	ISOLATION	INSERTION LOSS	ISOLATION
	H	H	L	ISOLATION	ISOLATION	INSERTION LOSS
2	H	L	L	INSERTION LOSS	ISOLATION	ISOLATION
	L	H	L	ISOLATION	INSERTION LOSS	ISOLATION
	L	L	H	ISOLATION	ISOLATION	INSERTION LOSS

LOGIC L = LOW (0)
LOGIC H = HIGH (1)

BLOCK DIAGRAM



ALL DIMENSIONS ARE IN INCHES
TOLERANCES:
X.XX ±0.020
X.XXX ±0.010

ENVIRONMENTAL RATINGS:

- TEMPERATURE: -54°C TO +100°C (OPERATING)
-65°C TO +125°C (STORAGE)
- HUMIDITY: MIL-STD-202F, METHOD 103B COND. B
- SHOCK: MIL-STD-202F, METHOD 213B COND. B
- VIBRATION: MIL-STD-202F, METHOD 204D COND. B
- ALTITUDE: MIL-STD-202F, METHOD 105C COND. B
- TEMPERATURE CYCLE: MIL-STD-202F, METHOD 107D COND. A

NOTE: THE ABOVE SPECIFICATIONS ARE SUBJECT TO CHANGE OR REVISION

APPROVALS		DATE	TITLE		REV.	
DRAWN <i>WSP</i>		12/22/99	PRODUCT FEATURE SWN-1140-3DR OPTION MSF303			
CHECKED			SIZE	FSCM NO.	DWG NO.	
ISSUED			A	60483	100-5210	
SCALE N/S			SHEET 1 of 3			